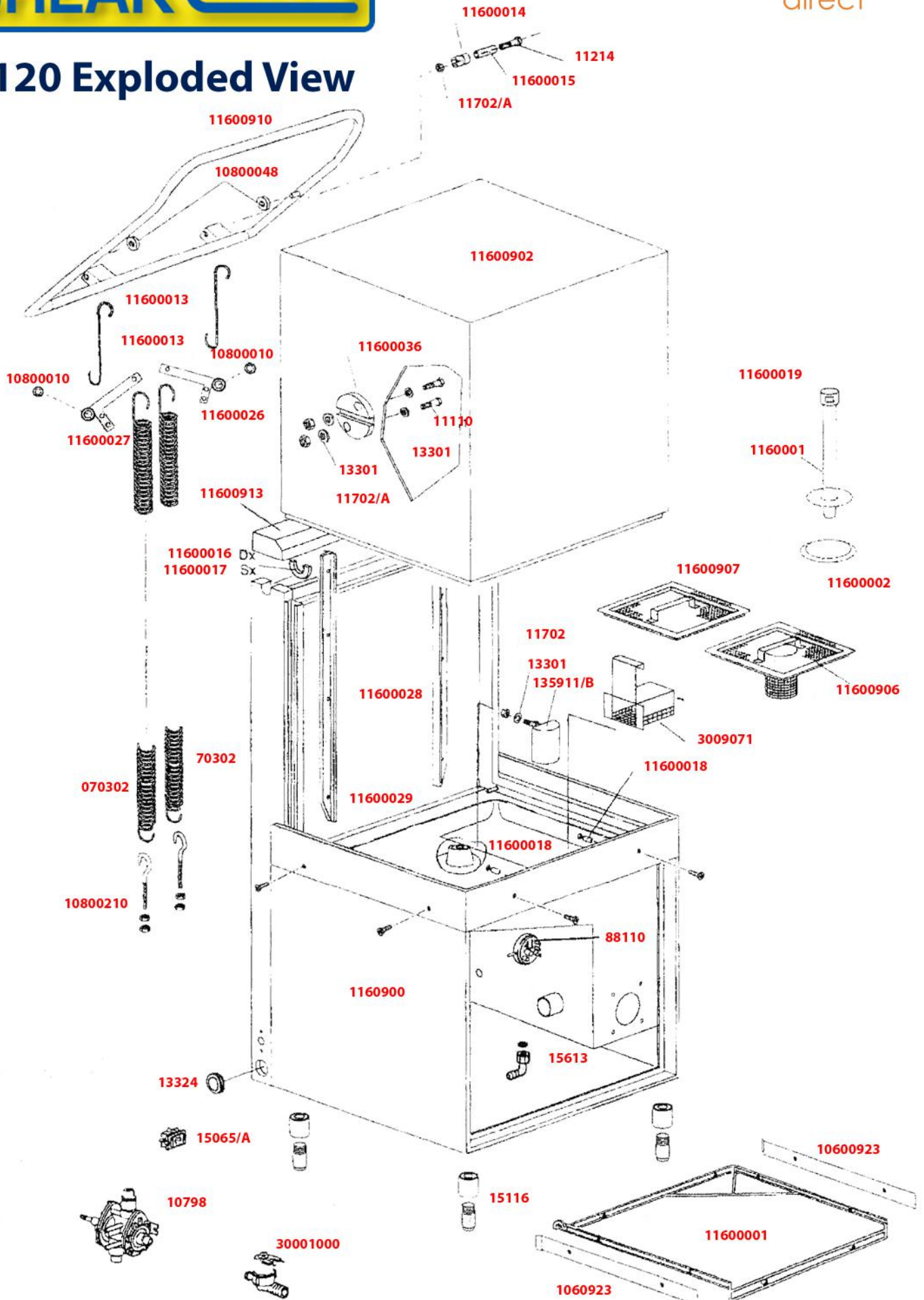
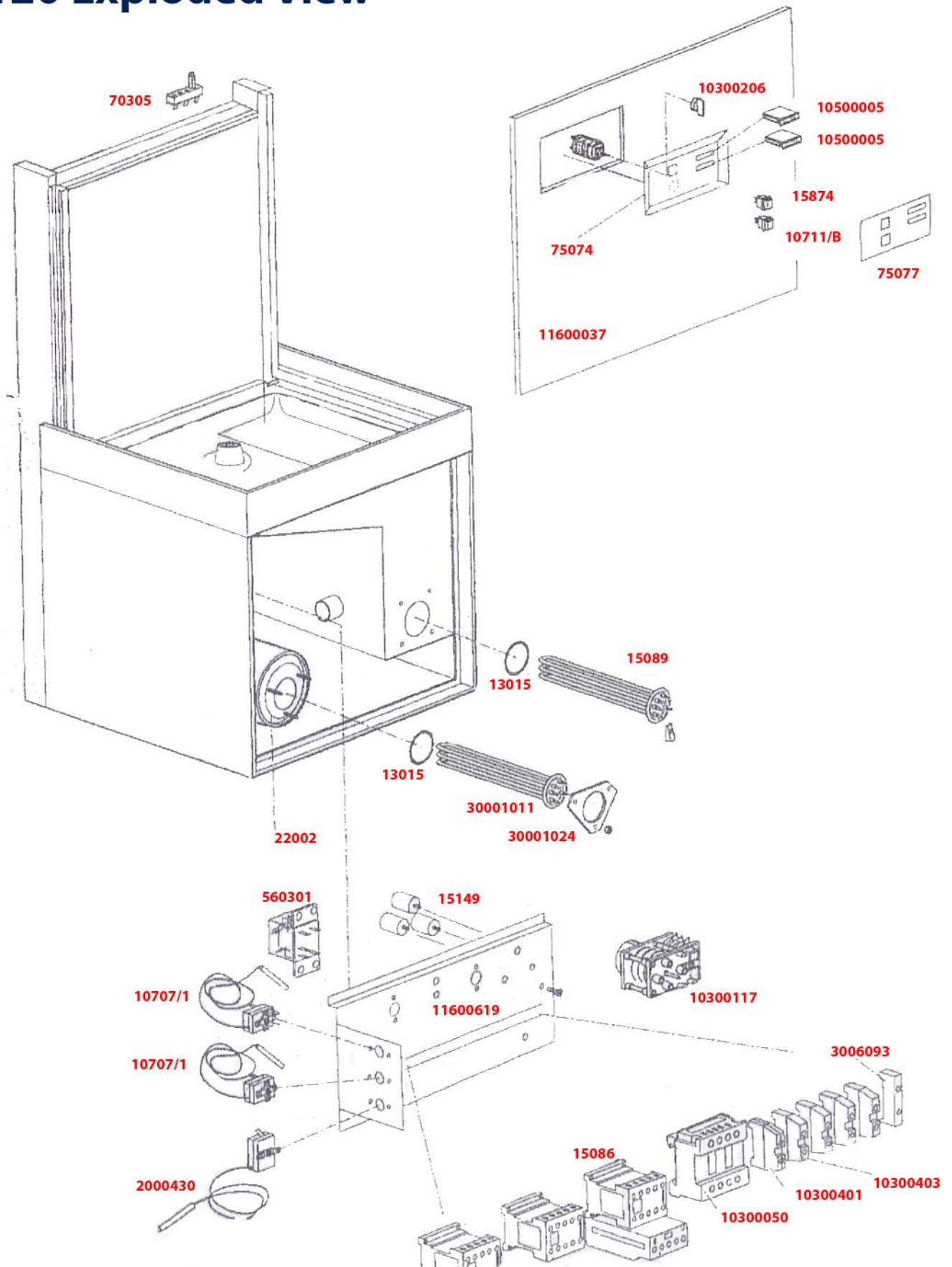


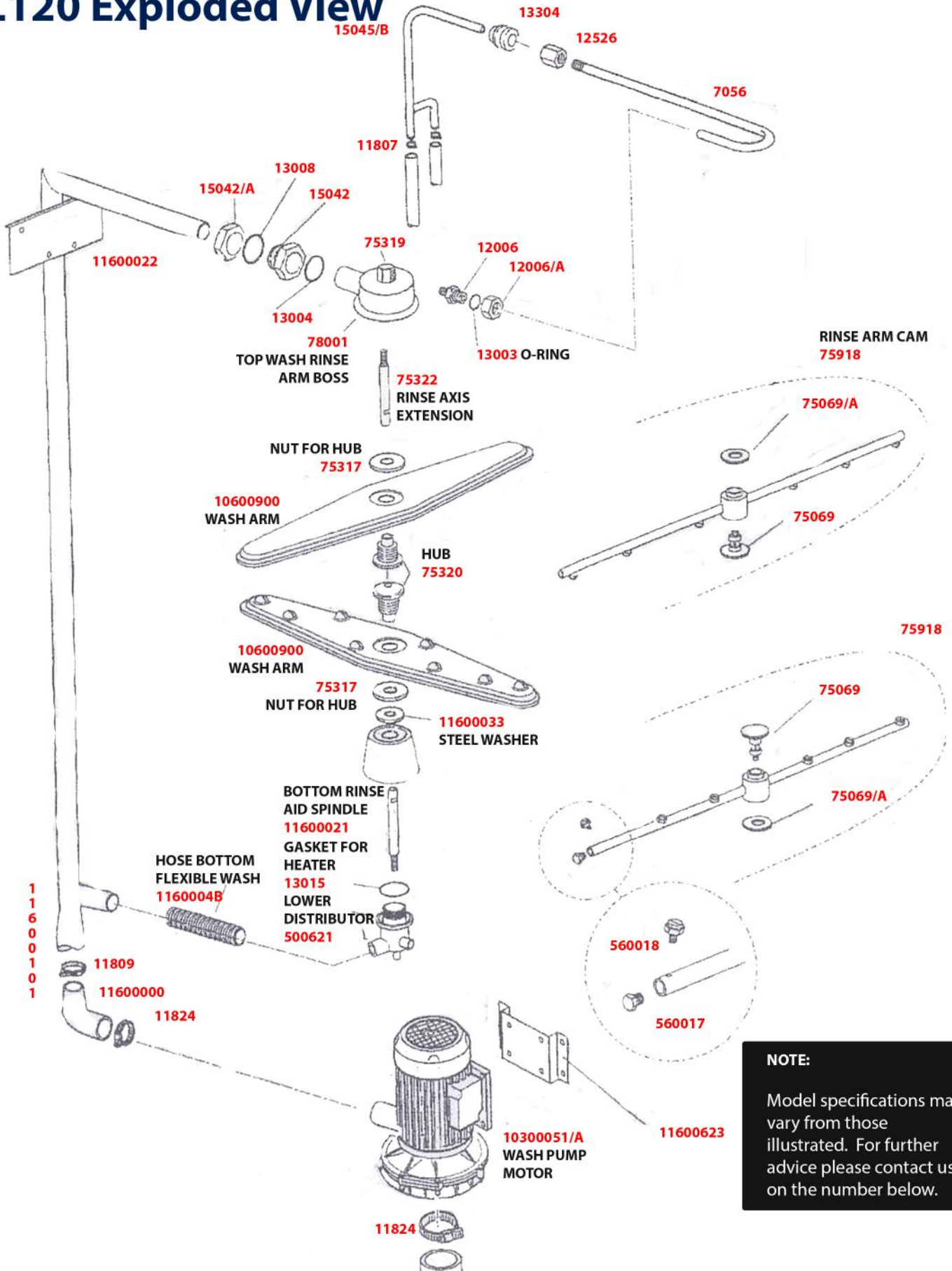
## PL120 Exploded View



## PL120 Exploded View



## PL120 Exploded View



**NOTE:**  
Model specifications may vary from those illustrated. For further advice please contact us on the number below.